

Exd, Weatherproof



Features

- Zone 1 and Zone 2 use.
- Ex d IIB T4/T5/T6.
- ATEX approved, Ex II 2G.
- BASEEFA certified.
- UL Listed for USA and Canada:
 - Hazardous locations:
 - Class I, Div 2, Groups C & D.
 - Class I, Zones 1 & 2, AExd IIB T4 & T5.
 - Ordinary locations: Visual-Signal Device.
 - Marine Listed.
- IECEx certified Gb.
- GOST 'R' & 'K' certified.
- Chinese (CQST) certified.
- Inmetro certified.
- High Output (21 Joules).
- IP66 and IP67.
- Certified temperature: -55°C to +70°C.
- Corrosion resistant GRP.
- Optional stainless steel backstrap.
- Various lens colours.
- Optional lens guard.
- Optional telephone initiation.
- Twin replaceable tubes.

Introduction

These high output certified beacons have been designed for use in potentially explosive atmospheres and harsh environmental conditions. The enclosures are suitable for use offshore or onshore, where lightweight combined with corrosion resistance is required.

The beacon housing is manufactured completely from a UV stable, glass reinforced polyester.

Stainless steel screws and mounting bracket are incorporated ensuring a totally corrosion free product.

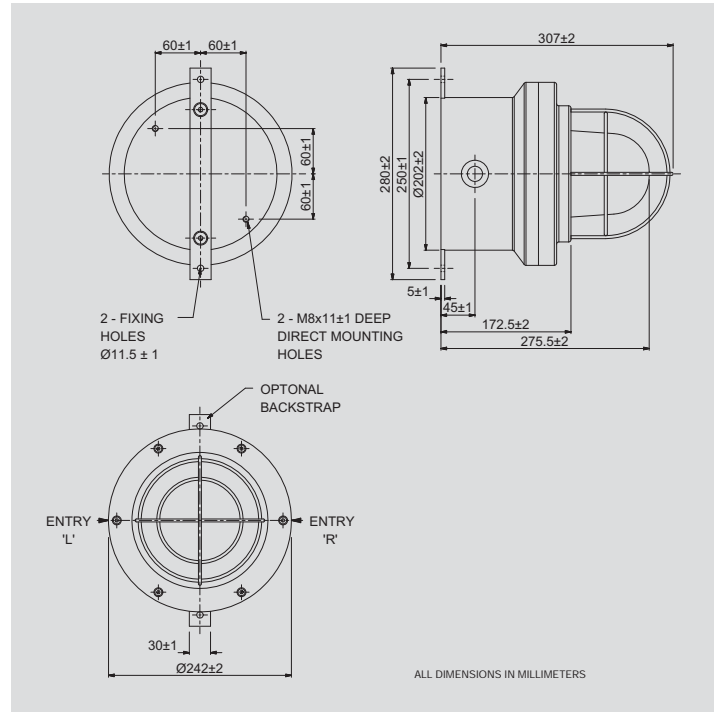
Units can be painted to customer specification and supplied with identification labels.



Specification

Certification: Certified to IEC60079-0, IEC60079-1.
 Certified to EN60079-0, EN60079-1.
 ATEX Cert. No. BAS99ATEX2196.
 Ex II 2 G Ex d IIB T4/T5/T6 Gb.
 IECEx Cert. No. IECEx BAS 10.0094.
 Ex d IIB T4/T5/T6 Gb.
 UL Listed for USA and Canada:
 Hazardous locations:
 Class I, Div 2, Groups C & D and
 Class I, Zones 1 & 2, AExd IIB T4 & T5.
 UL Listing No: E187894.
 Ordinary locations: Visual-Signal Device.
 Marine Listed.
 UL Listing No. S8128.
 GOST 'R' Certification: 1Exd IIB T4/T5.
 GOST 'K' Certification: Exd IIB T4/T5.
 Chinese (CQST) Certification: Exd IIB T4/T5.
 Inmetro Certification: Ex d IIB T4/T5/T6 Gb.

Material:	Body: Glass reinforced polyester. Lens: Toughened Glass. Cover Screws + Backstrap: Stainless steel 316.
Finish:	Natural black or painted to customer specification.
Weight:	7.0kg.
Certified Temp:	Exd -55°C to +70°C (T4). -55°C to +55°C (T5). -55°C to +40°C (T6). UL -55°C to +70°C (Hazardous Locations). -55°C to +55°C (Ordinary Locations).
Ingress Protection:	IP66 & 67.
Fire Retardancy:	GRP is fire retardant to ISO 1210.
Earth Continuity:	Optional for metal glands provided via a brass plate (not available in UL version).
Terminals:	6 x 6.0mm ² .
Telephone initiation:	Initiation by telephone ringing tone.
Labels:	Duty/Tag Label optional.
Entries:	2 x M20 ISO EExd. 2 x 1/2" NPT UL.



Electrical Ratings:

	d.c.	a.c. 50/60Hz	
Voltage	24	110	240
XB12 Tube Energy (Joules)	21	21	21
Peak Current Consumption (mA)	1400	350	185
Effective Intensity (Cd)	355	355	355
Peak Intensity (Cd)	123691	123691	123691
Power Consumption (Watts)	33.6	38.5	44.4

NOTE: The Cd figures are for a clear lens @ 1Hz flash rate.

Multiplying Factor for Colored Lenses:

Red	Blue	Amber	Green	Yellow
0.15	0.12	0.51	0.49	0.86

The photometric data has been verified by BSI. A report is available if required.

Ordering Requirements

The following code is designed to help in selection of the correct unit. Build up the reference number by inserting the code for each component into the appropriate box. **For standard products, available ex-stock, contact sales office for details.**

Model	Certification	Voltage	Flashrate	Lens Colour	Lens Guard	Fixings	Earth Continuity	Tag/Duty	Unit Options	Finish																																																																			
XB12																																																																													
	<table border="1"> <thead> <tr> <th>Certification</th> <th>Code</th> </tr> </thead> <tbody> <tr><td>Uncertified</td><td>W</td></tr> <tr><td>ATEX</td><td>B</td></tr> <tr><td>IECEX</td><td>J</td></tr> <tr><td>UL</td><td>UL</td></tr> <tr><td>UL (ordinary locations)</td><td>UW</td></tr> <tr><td>UL Marine</td><td>UM</td></tr> <tr><td>GOST 'R'</td><td>G</td></tr> <tr><td>GOST 'K'</td><td>K</td></tr> <tr><td>Chinese (CQST)</td><td>Q</td></tr> <tr><td>Inmetro</td><td>DM</td></tr> </tbody> </table>	Certification	Code	Uncertified	W	ATEX	B	IECEX	J	UL	UL	UL (ordinary locations)	UW	UL Marine	UM	GOST 'R'	G	GOST 'K'	K	Chinese (CQST)	Q	Inmetro	DM	<table border="1"> <thead> <tr> <th>Voltage</th> <th>Code</th> </tr> </thead> <tbody> <tr><td>24V d.c.</td><td>024</td></tr> <tr><td>110V a.c.</td><td>110</td></tr> <tr><td>240V a.c.</td><td>240</td></tr> </tbody> </table> <p>Other voltages available, please specify.</p>	Voltage	Code	24V d.c.	024	110V a.c.	110	240V a.c.	240	<table border="1"> <thead> <tr> <th>Fpm</th> <th>Code</th> </tr> </thead> <tbody> <tr><td>60 / min</td><td>06</td></tr> </tbody> </table> <p>Other flash rates available, please specify.</p>	Fpm	Code	60 / min	06	<table border="1"> <thead> <tr> <th>Guard</th> <th>Code</th> </tr> </thead> <tbody> <tr><td>None</td><td>N</td></tr> <tr><td>Yes</td><td>Y</td></tr> </tbody> </table>	Guard	Code	None	N	Yes	Y	<table border="1"> <thead> <tr> <th>Continuity</th> <th>Code</th> </tr> </thead> <tbody> <tr><td>None</td><td>N</td></tr> <tr><td>Yes</td><td>Y*</td></tr> </tbody> </table> <p>*Earth continuity not available in UL version.</p>	Continuity	Code	None	N	Yes	Y*	<table border="1"> <thead> <tr> <th>Option</th> <th>Code</th> </tr> </thead> <tbody> <tr><td>None</td><td>N</td></tr> <tr><td>Blanking Plug</td><td>P</td></tr> <tr><td>Telephone</td><td>T*</td></tr> </tbody> </table> <p>*Telephone option not available in UL version.</p>	Option	Code	None	N	Blanking Plug	P	Telephone	T*	<table border="1"> <thead> <tr> <th>Finish</th> <th>Code</th> </tr> </thead> <tbody> <tr><td>Natural Black</td><td>N</td></tr> <tr><td>Red</td><td>R</td></tr> <tr><td>Blue</td><td>B</td></tr> <tr><td>Yellow</td><td>Y</td></tr> <tr><td>Grey</td><td>G</td></tr> <tr><td>White</td><td>W</td></tr> <tr><td>Special</td><td>S*</td></tr> </tbody> </table> <p>*Please specify.</p>	Finish	Code	Natural Black	N	Red	R	Blue	B	Yellow	Y	Grey	G	White	W	Special	S*
Certification	Code																																																																												
Uncertified	W																																																																												
ATEX	B																																																																												
IECEX	J																																																																												
UL	UL																																																																												
UL (ordinary locations)	UW																																																																												
UL Marine	UM																																																																												
GOST 'R'	G																																																																												
GOST 'K'	K																																																																												
Chinese (CQST)	Q																																																																												
Inmetro	DM																																																																												
Voltage	Code																																																																												
24V d.c.	024																																																																												
110V a.c.	110																																																																												
240V a.c.	240																																																																												
Fpm	Code																																																																												
60 / min	06																																																																												
Guard	Code																																																																												
None	N																																																																												
Yes	Y																																																																												
Continuity	Code																																																																												
None	N																																																																												
Yes	Y*																																																																												
Option	Code																																																																												
None	N																																																																												
Blanking Plug	P																																																																												
Telephone	T*																																																																												
Finish	Code																																																																												
Natural Black	N																																																																												
Red	R																																																																												
Blue	B																																																																												
Yellow	Y																																																																												
Grey	G																																																																												
White	W																																																																												
Special	S*																																																																												
		<table border="1"> <thead> <tr> <th>Color</th> <th>Code</th> </tr> </thead> <tbody> <tr><td>Red</td><td>R</td></tr> <tr><td>Blue</td><td>B</td></tr> <tr><td>Green</td><td>G</td></tr> <tr><td>Amber</td><td>A</td></tr> <tr><td>Yellow</td><td>Y</td></tr> <tr><td>Clear</td><td>C</td></tr> </tbody> </table>	Color	Code	Red	R	Blue	B	Green	G	Amber	A	Yellow	Y	Clear	C	<table border="1"> <thead> <tr> <th>Unit Fixings</th> <th>Code</th> </tr> </thead> <tbody> <tr><td>Direct mount</td><td>D</td></tr> <tr><td>Backstrap</td><td>B</td></tr> </tbody> </table>	Unit Fixings	Code	Direct mount	D	Backstrap	B	<table border="1"> <thead> <tr> <th>Label</th> <th>Code</th> </tr> </thead> <tbody> <tr><td>None</td><td>N</td></tr> <tr><td>Yes</td><td>Y*</td></tr> </tbody> </table> <p>*Please specify.</p>	Label	Code	None	N	Yes	Y*																																															
Color	Code																																																																												
Red	R																																																																												
Blue	B																																																																												
Green	G																																																																												
Amber	A																																																																												
Yellow	Y																																																																												
Clear	C																																																																												
Unit Fixings	Code																																																																												
Direct mount	D																																																																												
Backstrap	B																																																																												
Label	Code																																																																												
None	N																																																																												
Yes	Y*																																																																												